

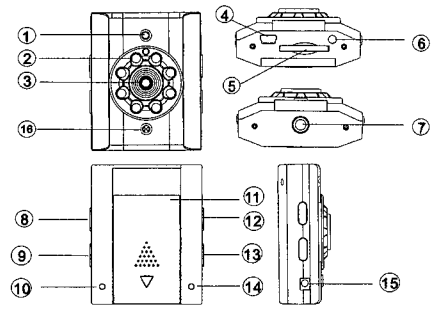
# Vehicle DVR

Road Safety Guard

## Instruction Manual

Thank you for purchasing Vehicle Safeguard from our company. In order to help you operate it correctly, please read this instruction carefully before using.

### Product Picture and Function



- |                       |                                 |
|-----------------------|---------------------------------|
| 1. Laser Light        | 9. Record / Play                |
| 2. IR LED             | 10. Work Indicator              |
| 3. Lens               | 11. Battery Cover               |
| 4. USB Slot           | 12. Power Switch                |
| 5. SD/MMC Card Slot   | 13. Mode Switch(Record/Preview) |
| 6. AV Out             | 14. Charging Indicator          |
| 7. Fixed Slot         | 15.5V Direct Current Slot       |
| 8. Laser Light Switch | 16. Microphone                  |

### Attached Accessories

- Manual
- Li-ion Rechargeable Battery
- AV-Out Cable
- USB Cable
- 12V/24V Car Charger
- DVR Mount

### **Vehicle DVR**

Camera easily mounts in almost any vehicle  
Easily record the driving conditions in front of you  
Capture video for legal or insurance purpose  
IR day and night vision for recording  
Red Laser points to the area being record  
Use SD/MMC Memory Card from 128MB to 32 GB

### **Installation and Operate**

#### **Installation**

- 1) Without placing the DVR mount on the windshield of your vehicle yet, put the DVR on it first. Make sure DVR should be screwed back tightly onto the DVR mount.
- 2) Put the DVR to the corresponding position of the vehicle. And press the DVR Mount firmly to make sure it have connected well to the windshield.
- 3) Adjust the DVR's angle at this moment. In the adjust ing process, through pressing the **laser light switch** to confirm the position of which will be recorded. (Note: The light spot will focus on its area of recording.) Tighten the screw cap after it's adjusted well. The installation is finished.

#### **Operate**

- 1) DVR can be activated after it has been placed on the vehicle by pressing the **Power Switch** ③.
- 2) Two Power options:
  - (a) Use Li-ion rechargeable battery
  - (b) Connect with 12V/24V Car ChargerNote: Car charger Include the adaptor 12V/24V transfers to 5V already.
- 3) IR LED will work automatically in night vision.
- 4) The Li-ion battery is charged by 12V/24V Car Charger or USB cable. And the indicator on charger displays Red. Charging finished about 2-3 hours, and indicator converts to no light.

### **Recording**

Record: Press **Power Switch** to start the DVR, it will enter defaulted Recording Mode. Then press the **Record Button** ⑩ to start shooting. The work indicator blickers at this moment and indicates it is recording. The recording file is saved in the SD/MMC Card. To stop, press **Record Button** ⑩ again.

### **AV OUT**

Connect the AV Out link to the TV or other terminals. Press **Mode button** ④ to enter **Play mode** and then press **Play button** ⑩ to preview videos. To stop, press **Play button** ⑩ again or automatically stop when it finished.

Note: 1) This DVR has no internal card. Please insert the SD/ MMC card before recording.

- 2) This DVR records in cycle. When the storage medium is full, it will record from the beginning again and erase over the previously recorded material automatically. It will have 2-8 seconds pause time, and namely the contents in the 2-8 seconds will not recorded.

(Note: Repeat Storage by section, 2 minutes for one)

- 3) When the power level for Li-ion battery is not sufficient, it will sound the alarm voice and turn off automatically after 30 seconds.

### **Technical Specifications**

- 1) Recording resolution: 640x480 pixels
- 2) Recording file in AVI video format, playable on windows media player
- 3) Repeat storage by section
- 4) Power source: Li-ion rechargeable battery, or 12V/24V car charger
- 5) Supports SD/MMC card( From 128MB up to 32GB)
- 6) AV-out: Include
- 7) Microphone: can record sound

No further notice will be given for any modification of the technical specification.